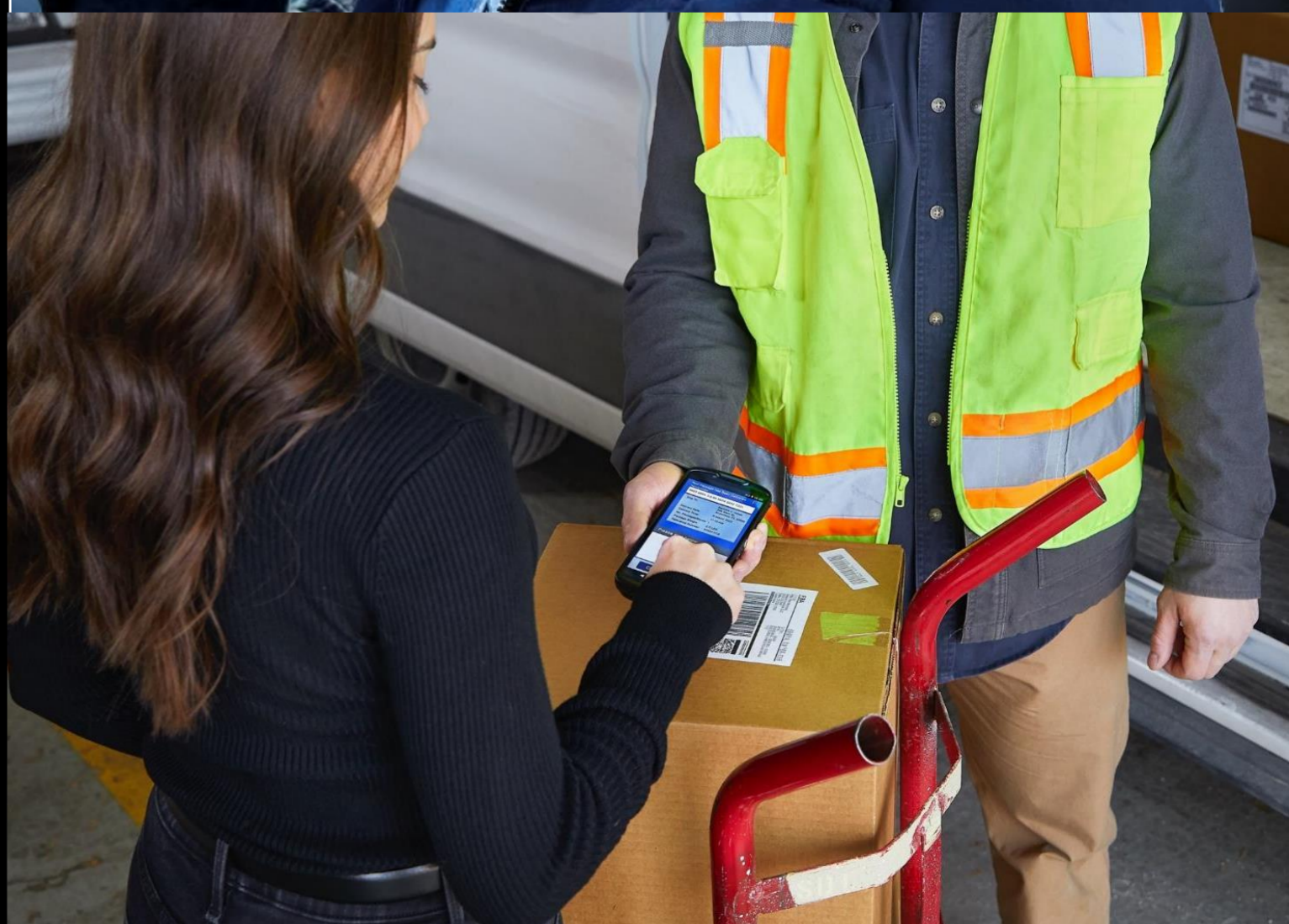
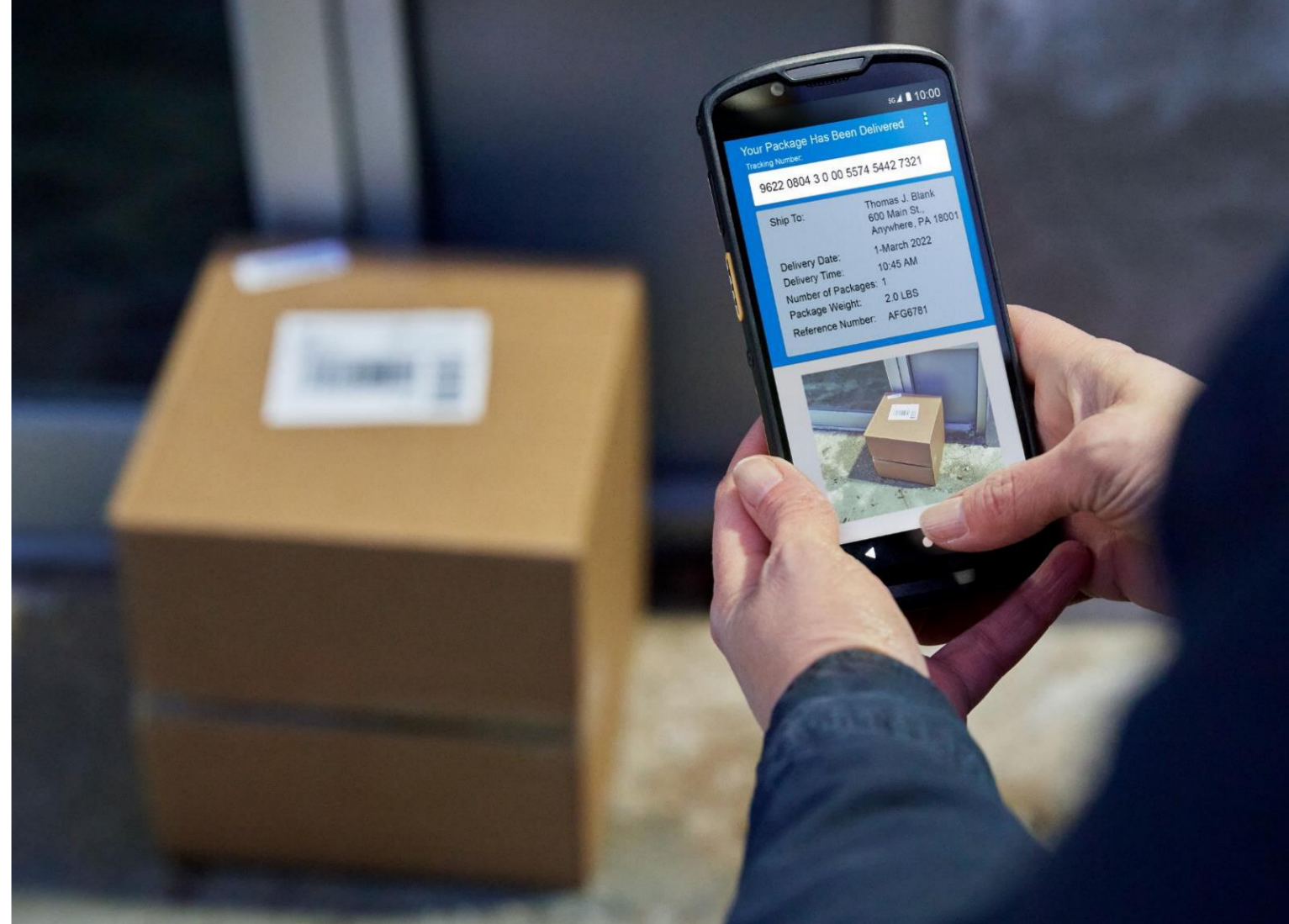


TC53/TC58 TC53e/TC58e TC53e-RFID Accessories Guide

Powering a new generation
of data collection

Revised October 2024



I.	Accessories that POWER devices	
1	Cradles	
1.1	Single-slot cradles	3
1.2	Multi-slot cradles	4
1.3	Cradle cups	6
1.4	Zebra’s Intelligent Cabinet Portfolio	7
1.5	Mounting options for chargers	8
2	Batteries	
2.1	Spare Li-ion batteries with BLE Beacon	8
2.2	Spare Li-ion batteries	9
2.3	Spare battery chargers	10
3	Power supply, cables, and adapters	
3.1	Power supply and cable matrix	11
3.2	Country-specific AC line cords	13
4	Vehicle chargers and accessories	15
II.	Accessories that ENABLE productivity solutions	
5	Vehicle holders and mounts	16
6	Headsets	
6.1	Wired headsets and accessories for Workforce Connect	17
6.2	Wired headsets and accessories for voice-directed picking	18
6.3	Wireless headsets and accessories for voice-directed picking	18
7	Wearable mounts and other accessories	
7.1	Wrist mounts and comfort pad	19
7.2	Wrist straps and arm sleeve	20
7.3	Hand strap, stylus, and tether	21
8	Trigger handles	
8.1	Electronic trigger handle and accessories	22
9	Cables and adapters	23
III.	Accessories that PROTECT devices	
10	Soft holsters and rugged boots	25
11	Screen protectors	26
IV.	Workstation Connect Cradle	27
V.	Third Party Accessories for TC53/TC58/TC53e/TC58e/TC53e-RFID	
12	3rd Party Accessories	28

Single-slot cradles



Single-slot charger kit

SKU# CRD-NGTC5-2SC1B

Single-slot charge-only ShareCradle kit. Charges a single TC53 / TC58; TC53e / TC58e / TC53e-RFID device and its spare Li-ion battery.

- Device with standard battery charges from 0–90% in about 1½ hours.
- Includes: Power supply SKU# PWR-BGA12V50W0WW, DC cable SKU# CBL-DC-388A1-01, and shims SKU# SHIM-CRD-NGTC5.
- Sold separately: Country-specific AC line cord ([listed later in this document](#)).



Single-slot USB / Ethernet capable charger kit

SKU# CRD-NGTC5-2SE1B

Single-slot USB communication / Ethernet capable charger ShareCradle kit. Charges a single TC53 / TC58; TC53e / TC58e / TC53e-RFID device and its spare Li-ion battery.

- Device with standard battery charges from 0–90% in about 1½ hours.
- Includes: Power supply SKU# PWR-BGA12V50W0WW, DC cable SKU# CBL-DC-388A1-01, and shims SKU# SHIM-CRD-NGTC5.
- Sold separately: Country-specific AC line cord ([listed later in this document](#)), micro-USB cable SKU# 25-124330-01R for USB connection, and USB to Ethernet module kit SKU# MOD-MT2-EU1-01.



USB to Ethernet module

SKU# MOD-MT2-EU1-01

Connects single-slot charge/USB charger to a local area network via Ethernet over USB.

- 10 / 100 / 1000 Mbps speed with LEDs on module to indicate connectivity and speed.
- Mechanical switch to choose micro-USB port or RJ45 Ethernet.



USB to Ethernet module kit

SKU# KT-TC51-ETH1-01

Connects single-slot charge / USB charger to a local area network via Ethernet over USB.

- 10 / 100 / 1000 Mbps speed with LEDs on module to indicate connectivity and speed.
- Mechanical switch to choose micro-USB port or RJ45 Ethernet.
- Includes: USB-Ethernet Module SKU# MOD-MT2-EU1-01 and support bracket SKU# BRKT-TC51-ENET1-01.

NOTE:

- All TC53/TC58/TC53e/TC58e/TC53e-RFID cradles accommodate devices with or without the rugged boot.
- Each cradle cup has two inserts/shims, one of which must be installed prior to inserting the device with or without rugged boot.
- Spare cradle cups are available as service spare parts.

[Back to Table of Contents](#)

Multi-slot cradles



Five-slot charger

SKU# CRDON-NGTC5-5SC5D

Charge-only ShareCradle to charge five devices.

- Can be mounted on a standard 19-inch rack system using mounting bracket [SKU# BRKT-SCRD-SMRK-01](#).
- Device with standard battery charges from 0–90% in about 1½ hours.
- Includes: 5-pack of shims [SKU# SHIM-CRD-NGTC5](#).
- Sold separately: Power supply [SKU# PWR-BGA12V108W0WW](#) and DC cable [SKU# CBL-DC-381A1-01](#). Country-specific AC line cord ([listed later in this document](#)).



Five-slot charger kit

SKU# CRD-NGTC5-5SC5D

Charge-only ShareCradle kit to charge five devices.

- Can be mounted on a standard 19-inch rack system using mounting bracket [SKU# BRKT-SCRD-SMRK-01](#).
- Device with standard battery charges from 0–90% in about 1½ hours.
- Includes: Power supply [SKU# PWR-BGA12V108W0WW](#), DC cable [SKU# CBL-DC-381A1-01](#), and 5-pack of shims [SKU# SHIM-CRD-NGTC5](#).
- Sold separately: Country-specific AC line cord ([listed later in this document](#)).



Five-slot Ethernet charger

SKU# CRDON-NGTC5-5SE5D

Five-slot charge / Ethernet ShareCradle. Charges five devices with network speeds of up to 1 Gbps.

- Device with standard battery charges from 0–90% in about 1½ hours.
- Includes: 5-pack of shims [SKU# SHIM-CRD-NGTC5](#).
- Sold separately: Power supply [SKU# PWR-BGA12V108W0WW](#) and DC cable [SKU# CBL-DC-381A1-01](#). Country-specific AC line cord ([listed later in this document](#)).



Five-slot Ethernet charger kit

SKU# CRD-NGTC5-5SE5D

Five-slot charge / Ethernet ShareCradle kit. Charges five devices with network speeds of up to 1 Gbps.

- Device with standard battery charges from 0–90% in about 1½ hours.
- Includes: Power supply [SKU# PWR-BGA12V108W0WW](#), DC cable [SKU# CBL-DC-381A1-01](#), and 5-pack of shims [SKU# SHIM-CRD-NGTC5](#).
- Sold separately: Country-specific AC line cord ([listed later in this document](#)).

[Back to Table of Contents](#)

Multi-slot cradles



Five-slot charger

SKU# CRDON-NGTC5-5SC4B

Charge-only ShareCradle to charge four TC53 / TC58; TC53e / TC58e / TC53e-RFID devices and its four spare Li-ion batteries.

- Can be mounted on a standard 19-inch rack system using mounting bracket [SKU# BRKT-SCRD-SMRK-01](#).
- Device with standard battery charges from 0–90% in about 1½ hours.
- Includes: 4-pack of shims [SKU# SHIM-CRD-NGTC5](#).
- Sold separately: Power supply [SKU# PWR-BGA12V108W0WW](#) and DC cable [SKU# CBL-DC-381A1-01](#). Country-specific AC line cord ([listed later in this document](#)).



Five-slot charger kit

SKU# CRD-NGTC5-5SC4B

Charge-only ShareCradle kit to charge four TC53 / TC58; TC53e / TC58e / TC53e-RFID devices and its four spare Li-ion batteries.

- Can be mounted on a standard 19-inch rack system using mounting bracket [SKU# BRKT-SCRD-SMRK-01](#).
- Device with standard battery charges from 0–90% in about 1½ hours.
- Includes: Power supply [SKU# PWR-BGA12V108W0WW](#), DC cable [SKU# CBL-DC-381A1-01](#), and 4-pack of shims [SKU# SHIM-CRD-NGTC5](#).
- Sold separately: Country-specific AC line cord ([listed later in this document](#)).

Cradle Cups



Charge-only device cradle cup replacement kit

SKU# CRDCUP-NGTC5-01

One TC53 / TC58; TC53e / TC58e / TC53e-RFID charge-only device cradle cup replacement kit with two inserts/shims.

- Can be used to replace a TC5x series device cup on ShareCradle when upgrading to TC53 / TC58; TC53e / TC58e / TC53e-RFID.
- Includes: Shims SKU# SHIM-CRD-NGTC5.
- Also available as a 5-pack — 5 device cradle cups and 10 inserts/shims — SKU# CRDCUP-NGTC5-05.



Charge and communication device cradle cup replacement kit

SKU# CRDCUP-NGTC5ETH-01

One TC53 / TC58; TC53e / TC58e / TC53e-RFID charge and USB/Ethernet connection device cradle cup replacement kit with two inserts/shims.

- Can be used to replace a TC5x series device cup on ShareCradle when upgrading to TC53 / TC58; TC53e / TC58e / TC53e-RFID.
- Includes: Shims SKU# SHIM-CRD-NGTC5.
- Also available as a 5-pack — 5 device cradle cups and 10 inserts/shims — SKU# CRDCUP-NGTC5ETH-05.



Device cradle cup inserts / shims replacement

SKU# SHIM-CRD-NGTC5

One replacement cradle insert / shims

- Includes: Two inserts / shims — one for device without rugged boot, and another for device with rugged boot.

Zebra's Intelligent Cabinet Portfolio

Optimize enterprise mobile device storage and management



Intelligent Cabinets*

Easily secure, store, charge and handle checkout for Zebra mobile devices.

- Five cabinet sizes to accommodate between 20 and 100 devices
- Enhanced security options
- All-inclusive design includes built-in power supply
- Open leaf design for passive cooling through natural air flow

Cradle Locks

Easily add a layer of physical security in Intelligent Cabinets and racks with Zebra's cradle locks. Available for Zebra's HC2x, HC5x TC2x, TC5x and TC7x mobile computers, these mechanical locks physically prevent the removal of devices by any unauthorized personnel, increasing device security and reducing the number of lost or stolen devices.

- Mechanical locking for security and accountability
- Compatible with Zebra's Intelligent Racks and Cabinets.
- Battery charge status

Open Racks

Traditional open racks offer a durable industrial design

- A choice of single- or double-sided rack to meet capacity needs
- A choice of wheels to easily move the racks or feet to create stationary racks
- Offers integrated security options including cradle locks with PIN access

**Intelligent Cabinets are not be available in all regions.*

Refer to [Zebra Solutions Pathway](#) for detailed product information, product SKUs and pricing.



Mounting options for chargers



Rack mounting for space optimization

Optimize available space by mounting any set of five-slot chargers for TC5X on a standard, 19-inch server rack.

- Ideal for customers that have several devices per location.
- Compatible with all five-slot chargers for TC5X.



Mounting bracket

SKU# BRKT-SCRD-SMRK-01

Use five-slot ShareCradle mounting bracket to attach five-slot TC5X cradles to the wall or mount on a 19-inch server rack.

- Offers cable routing slots and removable tray that stores / conceals power supply.
- Adjustable orientations:
 - 25° angle for high-density (five-slot chargers).
 - Horizontal (single-slot or four-slot spare Li-ion charger).

Spare Li-ion batteries



Bluetooth battery with PowerPrecision Plus

SKU# BTRY-NGTC5TC7-44MABLE-01

Standard capacity 4,680 mAh battery with PowerPrecision Plus and BLE beacon.

- Premium-grade battery cells with longer lifecycle and tested to meet rigorous controls and standards.
- Obtain advanced battery state of health information including charge level and battery age based on usage patterns.
- BLE beacon allows device with this battery to be located even if powered off using [Zebra Device Tracker](#).
- Sold separately: Zebra Device Tracker licenses for either 1-year SKU# SW-BLE-DT-SP-1YR or 3-years SKU# SW-BLE-DT-SP-3YR.



Also available: standard battery with PowerPrecision Plus, but without Device Tracker as SKU# BTRY-NGTC5TC7-44MA-01

- Same robust housing as the version with BLE beacon for optimal performance and durability.
- Same advanced battery state of health features as BLE battery.

[Back to Table of Contents](#)

Spare Li-ion batteries



Extended capacity battery with PowerPrecision Plus

SKU# BTRY-NGTC5TC7-66MA-01

Extended capacity 7,000 mAh battery with PowerPrecision Plus.

- Premium-grade battery cells with longer lifecycle and tested to meet rigorous controls and standards.
- Obtain advanced battery state of health information including charge level and battery age based on usage patterns.



Wireless charging battery with PowerPrecision Plus

SKU# BTRY-NGTC5TC7-44MAWC-01

TC58 Standard capacity 4,680 mAh battery with Wireless charging and PowerPrecision Plus.

- Premium-grade battery cells with longer lifecycle and tested to meet rigorous controls and standards.
- Obtain advanced battery state of health information including charge level and battery age based on usage patterns.
- Works great with TC58 wireless charging vehicle cradle
SKU# CRD-TC58-WCVC-01 (listed later in this document).

Compatibility (wireless charge battery)	
TC53/TC53e TC53e-RFID	No
TC58e	Yes (all SKUs)
TC58	Yes (select SKUs only)



Standard battery with PowerPrecision Plus and Payment Support

SKU# BTRY-NGTC5TC7-PYMT

Standard capacity 4,680 mAh battery with PowerPrecision Plus and Payment support.

- Battery includes slot for integration with PD20 payment device.
- Premium-grade battery cells with longer lifecycle and tested to meet rigorous controls and standards.
- Obtain advanced battery state of health information including charge level and battery age based on usage patterns.

Spare battery charger



Battery charger

SKU# SAC-NGTC5TC7-4SCHG

Spare battery charger to charge any four spare Li-ion batteries.

- Standard capacity 4,680 mAh batteries charge from 0–90% in about 4 hours.
- Sold separately: Power Supply SKU# PWR-BGA12V50W0WW, DC Cable SKU# CBL-DC-388A1-01 and Country-specific AC Line cord ([listed later in this document](#)).



Battery charger kit

SKU# SAC-NGTC5TC7-4SCHG-01

Spare battery charger to charge any four spare Li-ion batteries.

- Standard capacity 4,680 mAh batteries charge from 0–90% in about 4 hours.
- Includes: Power Supply SKU# PWR-BGA12V50W0WW, DC Cable SKU# CBL-DC-388A1-01
- Sold separately: Country-specific AC Line cord ([listed later in this document](#)).



Four-slot battery charger conversion

SKU# BTRCUP-NGTC5TC7-01

One replacement four-slot battery charger

- Converts legacy TC5x four-slot battery charger or a multi-slot ShareCradle with spare battery Charger

Accessories that power devices



Power supply, cables, and adapters

Power supply and cable matrix

SKU#	Description	Note
PWR-BGA12V108W0WW	Level VI AC / DC power supply brick. AC Input: 100–240V, 2.8A. DC Output: 12V, 9A, 108W.	Included in: <ul style="list-style-type: none"> • CRD-NGTC5-5SC5D • CRD-NGTC5-5SE5D • CRD-NGTC5-5SC4B
CBL-DC-381A1-01	DC line cord for running multi-slot cradles from a single Level VI power supply.	
PWR-BGA12V50W0WW	Level VI AC / DC power supply brick. AC Input: 100–240V, 2.4A. DC Output: 12V, 4.16A, 50W.	Included in: <ul style="list-style-type: none"> • CRD-NGTC5-2SC1B • CRD-NGTC5-2SE1B
CBL-DC-388A1-01	DC line cord for running single-slot cradles or battery chargers from a single Level VI power supply.	Sold separately. Use for SAC-NGTC5TC7-4SCHG .
CBL-TC5X-USBC2A-01	USB-A to USB-C communications and charging cable, 1m long	Sold separately. Use to: <ul style="list-style-type: none"> • Directly charge TC53 / TC58; TC53e / TC58e / TC53e-RFID using a wall wart • Connect TC53 / TC58; TC53e / TC58e / TC53e-RFID to a computer (developer tools) • Charge TC53 / TC58; TC53e / TC58e / TC53e-RFID in a vehicle (can be used with cigarette light adapter SKU# CHG-AUTO-USB1-01, if needed)
CBL-TC2Y-USBC90A-01	USB-A to USB-C cable with 90° bend in USB-C adapter	
25-124330-01R	Micro USB active-sync cable. Allows for active-sync connectivity between the mobile computer single- or two-slot cradle and a host device.	Sold separately. Required for use with SKU# CRD-NGTC5-2SE1B if syncing with a computer is desired while TC53 / TC58; TC53e / TC58e / TC53e-RFID is in the charger.
CBL-DC-523A1-01	DC Y-line cord for running two spare battery chargers to a single Level VI power supply SKU# PWR-BGA12V108W0WW .	Sold separately. Use to: Consolidate power supplies for multiple spare battery chargers proximally placed to each other.
PWR-WUA5V12W0XX	USB type A power supply adapter (wall wart). Replace 'XX' in SKU as follows to get the right plug style based on region: US (United States) • GB (United Kingdom) • EU (European Union) AU (Australia) • CN (China) • IN (India) • KR (Korea) • BR (Brazil)	Sold separately. Use with a communications & charge cable to directly charge TC53 / TC58; TC53e / TC58e / TC53e-RFID device drawing power from a wall socket.

NOTE: Adapters and cables related to vehicle charging are listed later in this document.

[Back to Table of Contents](#)

Accessories that power devices



Power supply, cables, and adapters

Power supply and cable matrix

SKU#	Description	Note
KIT-PWR-12V50W	Power supply kit including Power Supply SKU# PWR-BGA12V50W0WW and DC line cord SKU# CBL-DC-388A1-01 .	Sold Separately: Country-specific AC line cord.
CBL-DC-382A1-01	DC line cord for running five-slot cradles when using Level VI Efficiency power supply SKU# PWR-BGA12V108W0WW . Includes black extension tab for releasing the cable.	
CHG-AUTO-CLA1-01	Cigarette lighter auto charger for vehicle cradle SKU# CRD-TC58-WCVC-01 .	Sold separately. Required for use with SKU# CRD-TC58-WCVC-01 to charge device.
CHG-AUTO-HWIRE1-01	Hard-wired auto charger cable for USB I / O Hub in vehicle cradle SKU# CRD-TC58-WCVC-01 .	

[Back to Table of Contents](#)

Accessories that power devices



Power supply, cables, and adapters

Country-specific AC line cords: grounded, 3-prong

SKU#	Country / region	Note
23844-00-00R	North America (United States, Canada, Mexico)	7.5 feet long Commonly used with chargers mounted in server racks
50-16000-678R	North America (United States, Canada, Mexico)	3 feet long
50-16000-221R	North America (United States, Canada, Mexico)	6 feet long
50-16000-727R	Brazil	1.8 meters (6 feet) long
50-16000-680R	Argentina	1.8 meters (6 feet) long
50-16000-217R	American Samoa, Australia, New Guinea	1.8 meters (6 feet) long
50-16000-218R	Japan	1.8 meters (6 feet) long
50-16000-219R	Antigua, Bermuda, Burma, Channel Islands, Hong Kong, Iraq, Ireland, Malaysia, North Ireland, Scotland, Singapore, United Kingdom, Wales	1.8 meters (6 feet) long
50-16000-257R	China	1.8 meters (6 feet) long
50-16000-220R	Europe, Abu Dhabi, Bolivia, Dubai, Egypt, Iran, Korea, Russia, Vietnam	1.8 meters (6 feet) long
50-16000-671R	Italy	1.8 meters (6 feet) long
50-16000-669R	India, S. Africa, Africa	1.8 meters (6 feet) long



[Back to Table of Contents](#)

Accessories that power devices



Power supply, cables, and adapters

Country-specific AC line cords: ungrounded, 2-prong

SKU#	Country / region	Note
50-16000-182R	United States	Type A NEMA 1-15 plug
50-16000-255R	Europe, Abu Dhabi, Bolivia, Dubai, Egypt, Iran, Korea, Russia, Vietnam.	Type C CEE7/16 plug
50-16000-670R	Bermuda, England, Hong Kong, Iraq, Ireland, Malaysia, North Ireland, Scotland, Singapore, United Kingdom, Wales	



Vehicle chargers and accessories

Wireless charger for vehicles

SKU# CRD-TC58-WCVC-01

TC58 Wireless charger for vehicles.

- Compatible exclusively with TC58e devices equipped with a wireless charging battery and the premium TC58 model. Can be mounted using four AMPS-pattern holes.
- Includes a holder for stylus that can be installed either to the left or right of device in cradle. (Can also be removed if not needed.)
- Requires: Rugged Boot SKU# SG-NGTC5EX01-1 and TC58 premium device with wireless battery SKU# BTRY-NGTC5TC7-44MAWC-01. All sold separately.
- Required to charge: Cigarette lighter adapter auto charge cable SKU# CHG-AUTO-CKA1-01 OR hard-wired auto charge cable SKU# CHG-AUTO-HWIRE1-01.
- For mounting options: see [Vehicle Holders and Mounts](#) listed later in this document.



Compatibility (wireless charge cradle, when used with wireless charge battery)

TC53/TC53e TC53e-RFID	No
TC58e	Yes (all SKUs)
TC58	Yes (select SKUs only)

Cigarette lighter adapter plug

SKU# CHG-AUTO-USB1-01

USB cigarette lighter adapter plug.

- Used with USB C Cable SKU# CBL-TC5X-USBC2A-01 (sold separately) to provide in-vehicle charging.
- Includes two USB-A ports providing higher current (5V, 2.5A) for faster charging.



NOTE

For mounting options and non-powered vehicle holders, please see section titled, "[Vehicle Holders and Mounts](#)", in this document.

For charging cables that can be used with vehicle holders, please see section titled, "[Power Supply, Cables, and Adapters](#)", in this document.

Accessories that enable productivity solutions



Vehicle holders and mounts



Vehicle holder

SKU# CRD-TC5NG-NCCD-01

Non-powered vehicle holder.

- Holds device in vehicle installations.
- Spring tension on holder and does not support Pistol Grip Handle.
- Provides access to USB-C port on bottom of device allowing device to be charged.
- Requires device with rugged boot [SKU# SG-NGTC5EXO1-01](#).
- Available for mounting using [SKU# RAM-B-166U](#).



Vehicle mounting hardware

SKU# RAM-B-166U

Vehicle cradle windshield suction cup mount.

- RAM twist lock suction cup with double socket arm and diamond base adapter.
- Overall length: 6.75".
- Attaches to back of vehicle cradles.



Vehicle mounting hardware

SKU# RAM-B-238U

Vehicle cradle RAM mount ball.

- RAM 2.43" x 1.31" diamond ball base with 1" ball.
- Attaches to back of vehicle cradles.



Vehicle mounting hardware

SKU# 3PTY-PCLIP-241478

ProClip forklift / vehicle cradle clamp mount – for square frame mounting.

- Attaches to square bars of vehicles / forklifts.
- Clamp is 5.125" x 3.75" and can accommodate bars of varying thicknesses.
- 6" long arm on clamp uses AMPS hole pattern for mounting ProClip cradles like [SKU# 3PTY-PCLIP-241475](#).

[Back to Table of Contents](#)

Accessories that enable productivity solutions



Headsets

Close gaps, Open possibilities with Workforce Connect

Usher in a new era of transformation—one led by your frontline and powered by Zebra Workforce Connect. One where communication and information flows freely and gaps between teams, workflows and data are closed.

With Workforce Connect, hindered workers become effective problem solvers, contributing their best. Critical workflows are streamlined in one place, on one device, equipping workers with the information they need, right at their fingertips.

Only Zebra offers the most complete lineup of software and rugged hardware with the scalability, support and service needed to make the greatest impact where it counts—on the frontline.

[Learn more about you can elevate your frontline workers with Zebra Workforce Connect.](#)

Wired headsets for Workforce Connect

SKU# HDST-USBC-PTT1-01



PTT headset with USB-C connector; one-piece solution.

- For Push-To-Talk (PTT) applications with volume up / volume down / PTT buttons. Compatible with PTT Express / PTT Pro.
- Rotating earpiece allows for right or left ear configuration. Mono headset with microphone.
- Includes clip for attaching PTT button to clothing.

Compatibility	
TC53 / TC53e / TC53e-RFID	Yes
TC58 / TC58e	Yes

Wired headsets for Workforce Connect

SKU# HDST-35MM-PTT1-02



PTT and VoIP headset with 3.5mm standard jack.

- For Push-To-Talk (PTT) and VoIP telephony. Compatible with PTT Express / PTT Pro.
- Rotating earpiece allows for right or left ear configuration. Mono headset with microphone.
- Includes clip for attaching PTT button to clothing.
- Improved design vs. [HDST-35MM-PTT1-01](#) which now has higher resistance to cleaning and sanitizing products.

Compatibility	
TC53	Yes
TC53e / TC53e-RFID	No
TC58 / TC58e	No

Wired headsets for Workforce Connect

SKU# HDST-35MM-PTVP-02



PTT and VoIP headset with 3.5mm locking jack.

- For Push-To-Talk (PTT) and VoIP telephony. Compatible with PTT Express / PTT Pro.
- Built-in cord wrap with rotating earpiece allows for right or left ear configuration. Mono headset with microphone.
- Includes clip for attaching PTT button to clothing.
- Improved design vs. [HDST-35MM-PTVP-01](#), which now has higher resistance to cleaning and sanitizing products.
- Sold separately: Requires 3.5mm keyed / collared female to 3.5mm male headset adapter cable [SKU# CBL-TC51-HDST35-01](#).

Compatibility	
TC53	Yes
TC53e / TC53e-RFID	No
TC58 / TC58e	No

[Back to Table of Contents](#)

Accessories that enable productivity solutions



Headsets

Rugged Bluetooth and corded HD voice headsets for the most demanding industrial environments

When it comes to enabling speech-driven applications and voice communications in warehouses, manufacturing plants and outdoor yards, you need a headset that is specially designed for the job. The HS3100 Bluetooth and HS2100 corded headsets are loaded with features that offer everything you need in an industrial headset.

[Learn more about how these headsets deliver a superior voice experience.](#)

Wired headsets for voice-directed picking

HS2100 rugged wired headset

Corded HD voice headset.

- Dustproof, spray proof, and waterproof.
- Noise cancellation for a superior voice experience in the noisiest environments.
- Swiveling boom mutes microphone allowing user to prevent voice pick applications from recognizing non-voice pick conversations.
- Feather-light for extraordinary comfort.

Compatibility	
TC53	Yes
TC53e / TC53e-RFID	No
TC58 / TC58e	No

SKU#	Description
HS2100-OTH	HS2100 Rugged Wired Headset Over-The-Head Headband includes HS2100 Boom Module and HSX100 OTH Headband Module
HS2100-BTN-L	HS2100 Rugged Wired Headset (Behind-the-neck headband left)
HS2100-OTH-SB	HS2100 Rugged Wired Headset (Over-the-head headband) includes HS2100 Shortened Boom Module and HSX100 OTH headband module
HS2100-BTN-LSB	HS2100 Rugged Wired Headset (Behind-the-neck headband left) includes HS2100 Shortened Boom Module and HSX100 BTN headband module

Wireless headsets for voice-directed picking

HS3100 rugged Bluetooth headset

Bluetooth headset for voice-directed picking applications.

- Noise cancellation tuned for Voice-Directed Picking applications.
- Swap batteries on the fly — without losing the Bluetooth connection.
- Split-second tap-to-pair simplicity using NFC. 15 hours of battery power.

SKU#	Description
HS3100-OTH	HS3100 Rugged Bluetooth Headset Over-The-Head Headband includes HS3100 Boom Module and HSX100 OTH Headband Module
HS3100-BTN-L	HS3100 Rugged Bluetooth Headset (Behind-the-neck headband left)
HS3100-OTH-SB	HS3100 Rugged Bluetooth Headset (Over-the-head headband) includes HS3100 Shortened Boom Module and HSX100 OTH headband module
HS3100-BTN-LSB	HS3100 Rugged Bluetooth Headset (Behind-the-neck headband left) includes HS3100 Shortened Boom Module and HSX100 BTN headband module
HS3100-SBOOM-01	HS3100 Shortened Boom Module (includes microphone boom, battery and windscreen)

[Back to Table of Contents](#)

Wrist mounts and comfort pad

Arm / wrist mount with standard length strap

SKU# SG-NGTC5-WMADP1-01

Wrist mount with standard strap.

- Swivel design allows device to be viewed in portrait or landscape mode enabling hands-free functionality.
- Velcro-free design uses non-absorbent materials that can be wiped down.
- Strap length can be adjusted between 128 to 191 mm (approx. 5.0 to 7.5").
- Includes carrier, comfort pad SKU# SG-NGWT-CMPD-01 and small / medium sized wrist strap SKU# SG-NGWT-WSTPST-01.
- Requires rugged boot SKU# SG-NGTC5EXO1-01 installed on device.

Arm / wrist mount with extended length strap

SKU# SG-NGTC5-WMADP1-02

Wrist mount with extended strap.

- Includes: Carrier, Comfort pad SKU# SG-NGWT-CMPD-01, medium / large size wrist strap SKU# SG-NGWT-WSTPLN-01.
- Strap length can be adjusted between 164 to 265 mm (approx. 6.5 to 10.5").
- Requires rugged boot SKU# SG-NGTC5EXO1-01 installed on device.

Replacement comfort pad for wrist mount

SKU# SG-NGWT-CMPD-02

Replacement comfort pad for wrist mount.

- Soft rubber, easily removable, and hygienic.
- Improved design vs. SKU# SG-NGWT-CMPD-01, which now includes ridges in the top surface that assists with alignment during installation and reduces the occurrence of slippage, especially in the presence of sweat.



Wrist straps and arm sleeve



Standard replacement wrist strap

SKU# SG-NGWT-WSTPST-01

Replacement wrist strap – standard size.

- White dial and accent color on strap identify size as standard (small / medium).
- Strap length can be adjusted between 128 to 191 mm (approx. 5.0 to 7.5").



Extended size replacement wrist strap

SKU# SG-NGWT-WSTPLN-01

Replacement wrist strap – extended size.

- Black dial and accent color on strap identify size as extended (medium / large).
- Strap length can be adjusted between 164 to 265 mm (approx. 6.5 to 10.5").



Extra-large replacement wrist strap

SKU# SG-NGWT-WSTPXL-01

Replacement wrist strap – extra-large size.

- Blue dial and accent color on strap identify size as extra-large.
- Strap length can be adjusted between 218 to 375 mm (approx. 8.5 to 14.75").



Arm sleeve

SKU# SG-WT4027050-01R

Arm sleeve – pack of 5.

- Worn under wrist mount strap if worker is in short-sleeved shirt and wants:
 - Extra sweat wicking/ personal layer
 - Extra comfort
 - Extra slip-resistance
- Material will not snag. One size fits all.
- Washable in mild detergent. Should be air dried.

[Back to Table of Contents](#)

Hand strap, stylus and tether



Hand strap

SKU# [SG-NGTC5TC7-HDSTP-01](#)

Hand strap

- Allows device to be easily held in palm of hand.
- Attaches directly to device, even with rugged boot installed.
- Includes loop for holding optional stylus.
- Sold separately: Rugged boot [SKU# SG-NGTC5EXO1-01](#).
- Also available as a 3-pack — 3 hand straps— [SKU# SG-NGTC5TC7-HDSTP-03](#).



Stylus

SKU# [SG-STYLUS-TCX-MTL-03](#)

Fiber tipped stylus – pack of 3.

- Heavy-duty and made from stainless steel / brass. No plastic parts — real pen feel. Can be used in rain.
- Micro-knit, hybrid-mesh, fiber tip provides silent, smooth gliding use. 5" length.
- Big improvement over rubber tipped or plastic tipped stylus.
- Compatible with all capacitive touch screen devices.
- Tether to device or hand strap using [SKU# SG-TC5NGTC7NG-TETHR-03](#).



Stylus tether

SKU# [SG-TC5NGTC7NG-TETHR-03](#)

Stylus tether.

- Can be attached to device tower bar.
- When hand strap is used, tether should attach to hand strap [SKU# SG-NGTC5TC7-HDSTP-03](#) directly (not to terminal towel bar).
- String type tether prevents loss of stylus.
- NOTE: Other Zebra coiled tethers are not recommended for use with TC53 / TC58; TC53e / TC58e / TC53e-RFID as they may interfere with other accessories.

Electronic trigger handle and accessories

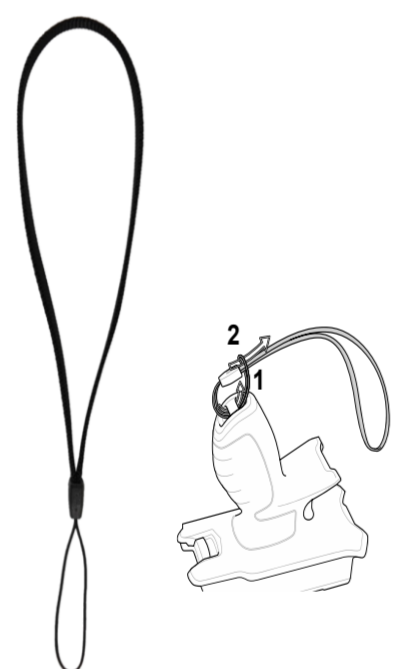


Electronic trigger handle

SKU# TRG-NGTC5-ELEC-01

Pistol-grip trigger handle.

- Uses electrical trigger via contacts on back side of TC53 / TC58; TC53e / TC58e / TC53e-RFID.
- Trigger handle accessory offers customers the option of using the product in a gun form factor, ideal for scan-intensive situations.
- Requires rugged boot SKU# SG-NGTC5EXO1-01 and device for attachment.
- Does not block access to rear facing camera and flash allowing camera to be used while using the trigger handle.
- Compatible with both standard and extended capacity batteries.
- Sold separately: Optional wrist strap SKU# SG-PD40-WLD1-01.



Trigger handle wrist strap

SKU# SG-PD40-WLD1-01

Looping wrist strap for trigger handle.

- Attaches to bottom of pistol-grip trigger handle.

Accessories that enable productivity solutions



Cables and adapters



Cradle to USB cable

SKU# 25-124330-01R

Single slot cradle to PC / host USB cable.

- Used with single-slot cradle.
- Micro-USB connection on cradle end.
- The cable is approximately 48" long.



Adapter cable

SKU# CBL-TC51-HDST35-01

3.5mm collared female to 3.5mm male headset adapter cable.

- Provides a collared/keyed 3.5mm barrel jack connector.
- Required for use with some headsets (i.e., HS2100) that use a locking keyed connector on the headset jack.
- Cable is approximately 6" long.
- Includes retention / anti-rotation lock [SKU# ADP-LOCK-3.5HT1-01](#).



Adapter cable

SKU# ADP-35M-QDCBL1-01

RCH50/RCH51 quick disconnect headset adapter cable.

- Connects RCH50/RCH51 headset (or headsets with quick disconnect connector) to devices with 3-pole 3.5mm barrel jack connector.
- Requires 3.5mm keyed / collared female to 3.5mm male headset adapter cable [SKU# CBL-TC51-HDST35-01](#).
- Cable features a rugged keyed / collared jack for a locking fail-safe connection.



Adapter cable

SKU# CBL-HS2100-3MS1-01

HS2100 headset standard cable – 3.5mm jack.

- 3.5mm barrel jack connector with cable length 43" (1.1m)
- For use with TC5X, TC7X, TC8000, or other devices using a 3.5mm barrel jack audio connector. Requires [SKU# CBL-TC51-HDST35-01](#).
- Rugged cable with rugged connectors that are keyed/collared for a locking failsafe connection.
- Includes one clothing clip. Additional clips can be purchased separately.

Compatibility	
TC53	Yes
TC53e / TC53e-RFID	No
TC58 / TC58e	No

Compatibility	
TC53	Yes
TC53e / TC53e-RFID	No
TC58 / TC58e	No

Compatibility	
TC53	Yes
TC53e / TC53e-RFID	No
TC58 / TC58e	No

[Back to Table of Contents](#)

Accessories that enable productivity solutions



Cables and adapters

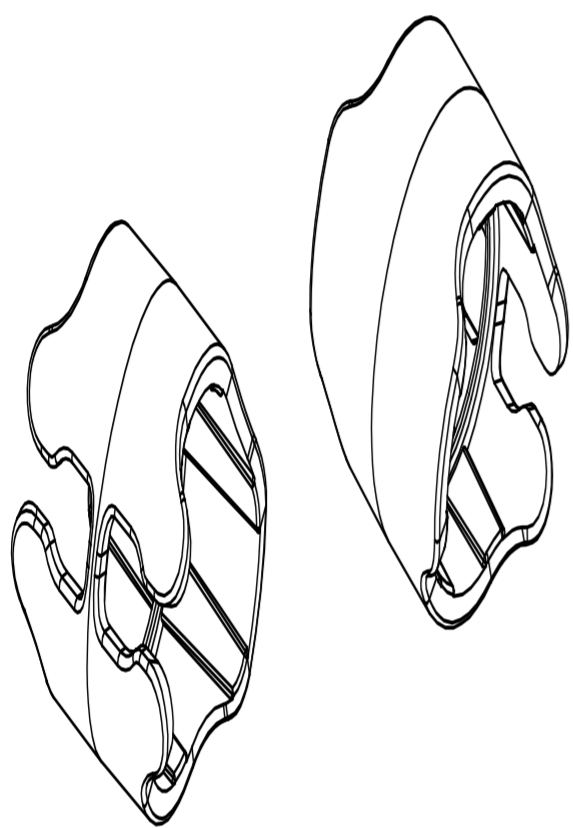


USB-C cable

SKU# CBL-TC2X-USBC-01

USB-A to USB-C Cable.

- Attaches to USB-C port on bottom of device.
- The cable includes an additional ferrite bead.
- The cable is approximately 5 feet or 1.5 meters long.



Adapter lock

SKU# ADP-LOCK-3.5HT1-01

Spare 3.5mm audio adapter retention & anti-rotation lock.

- This clip is used with the collared female to male headset adapter cable [SKU# CBL-TC51-HDST35-01](#) and keyed headset cables to prevent cable rotation / spinning. Also provides a secure, reliable headset connection.
- Clip is normally included with the collared female to male headset adapter cable, this is a spare / replacement clip/lock.
- Note: This is a spare / service parts item. Contact an authorized Zebra reseller to order.

Compatibility	
TC53 / TC53e-RFID	Yes
TC58 / TC58e	No

[Back to Table of Contents](#)

Soft holsters and rugged boots

Soft holster

SKU# SG-NGTC5TC7-HLSTR-01

Soft holster.



- Vertical orientation with open bucket design to accommodate TC53 / TC58; TC53e / TC58e / TC53e-RFID with optional rugged boot, pistol-grip trigger handle, and / or hand strap.
- Strap on rear of holster allows adjustment for use with the accessory options mentioned above.
- Includes loop for storage of optional stylus. Nonrotating for maximum durability.
- Holster is leather material and includes cut-out for speaker output.
- Also compatible with trigger handle SKU# TRG-NGTC5-ELEC-01 and hand strap SKU# SG-NGTC5TC7-HDSTP-03.

Rugged boot

SKU# SG-NGTC5EXO1-01

Rugged boot.



- Boot increases drop spec of device of 6 feet to concrete.
- Two-piece design provides for an easier installation and snaps together.

Rugged boots

Rugged boot can be customized to reflect a company's brand identity or corporate design language.



- Available for consideration when a custom product request is submitted by your Zebra sales representative.
- Lead time and cost depend on volume and complexity of color, material, and finish.
- One / two solid colors work best for customization. Not all patterns are achievable.

[Back to Table of Contents](#)

Screen protectors



Screen protectors

SKU# SG-NGTC5-SCRNP-01

Screen protector

- Tempered glass.
- Includes alcohol wipes, cleaning cloth, and instructions needed for screen protector installation.
- Also available as a 3-pack — 3 screen protectors — SKU# SG-NGTC5-SCRNP-03.
- Also available as 450-pack — 450 screen protectors — SKU# SG-NGTC5-SCRNP-450.

TC53 / TC58; TC53e / TC58e / TC53e-RFID Connect Cradle

Introducing the **Connect Cradles** (Workstation and Point of Sale) for TC53 / TC58; TC53e / TC58e / TC53e-RFID mobile computers. These accessories allow for the TC53 / TC58; TC53e / TC58e / TC53e-RFID mobile computer to connect to multiple purpose-built peripherals and enable Zebra Workstation Connect on an external monitor. The Connect Cradle offers connections for standard workstation setups (monitor, keyboard, mouse) while the point-of-sale configuration provides three additional powered USB ports for setups utilizing POS-specific peripherals such as a payment terminal, receipt printer, or scanner.

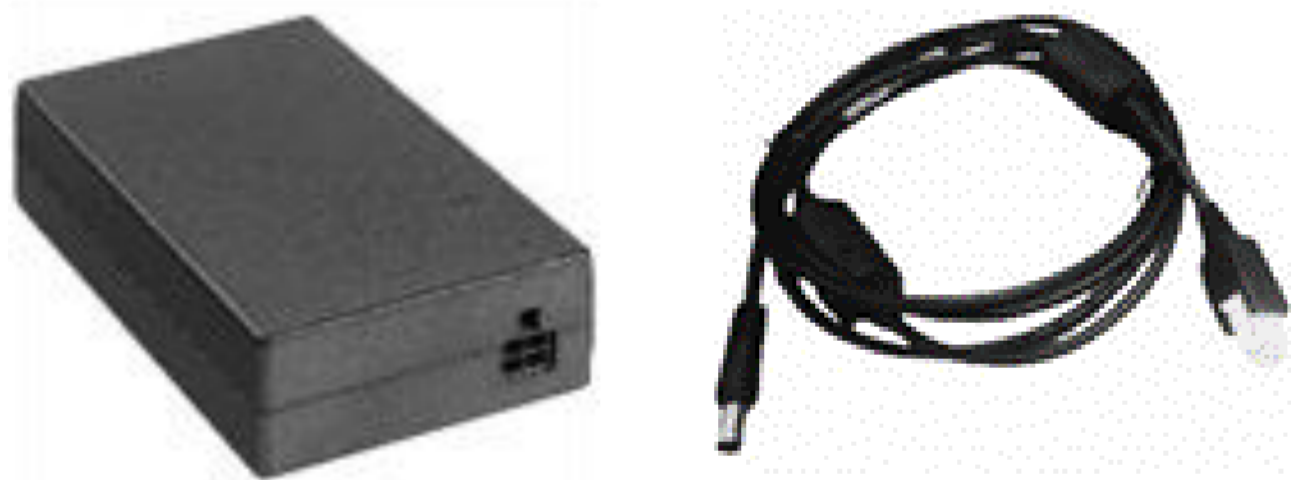


Connect Cradles

SKU# CRD-NTC5X-1SNWS-01 | SKU# CRD-NTC5X-1SNHP-01

Workstation | Point of Sale

- Workstation: TC53 / TC58; TC53e / TC58e / TC53e-RFID Connect Cradle, allows to connect a mobile computer to an external monitor and multiple peripherals. Includes HDMI, Ethernet and USB-A (x4) ports.
- Point of Sale: TC53 / TC58; TC53e / TC58e / TC53e-RFID Connect Cradle, allows to connect a mobile computer to an external monitor and multiple peripherals. Includes HDMI, Ethernet, USB-A (x3), 24V Powered USB (x1), 12V Powered USB (x2) ports.



Power Supply & DC Line Cord

SKU# PWR-BGA12V50W0WW | SKU# CBL-DC-388A2-01

Power Supply | DC Line Cord

- Power Supply [PWR-BGA12V50W0WW](#) for Connect Cradle : 100-240 VAC, 12VDC, 4.16A.
- DC Line Cord [CBL-DC-388A2-01](#) for above power supply: 12 VDC, 4.16A 1.8m length.



Power Supply for Point-of-Sale Cradle

SKU# PWR-BGA24V150W1WW

Power Supply for POS Cradle

- Level VI AC/DC Power Supply Brick. AC Input: 100-240V, 2.0A. DC Output: 24V, 6.25A, 150W.
- Requires: Country Specific AC grounded line cord.

Third Party Accessories for TC53 / TC58 / TC53e / TC58e / TC53e-RFID devices

Note: Products sold that do not bear the Zebra brand name are serviced and supported exclusively by their manufacturers in accordance with terms and conditions packaged with the products. Zebra's Limited Warranty does not apply to products that are not Zebra branded, even if packaged or sold with Zebra products. Please contact the manufacturer directly for technical support and customer service.

[Back to Table of Contents](#)



ZEBRA

TC53/TC58

PROCLIP CRADLES PROVIDE:

- Easy one-handed docking and undocking
- Tilt-swivel gives users an optimized viewing angle
- Channeled sidewalls guide the device into the cradle and hold the device securely
- Heavy-duty construction provides protection and longevity
- Custom design to fit the device with or without the rugged boot



North America: ProClipUSA.com
Europe: Brodit.com





PART #	DESCRIPTION
3PTY-PCLIP-713306	Charging Cradle with Tilt-Swivel and 5.4V Hard-Wired Power Supply for Zebra TC53 / TC58 with Rugged Boot



PART #	DESCRIPTION
3PTY-PCLIP-712306	Charging Cradle with Tilt-Swivel and 5.4V Cigarette Lighter Adapter for Zebra TC53 / TC58 with Rugged Boot

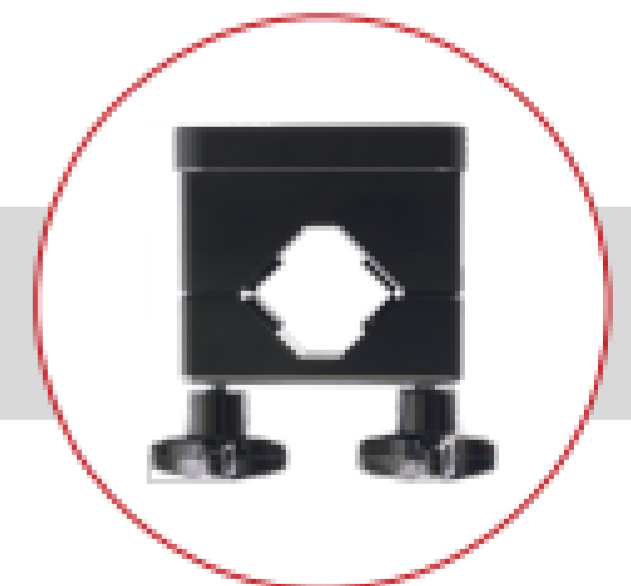
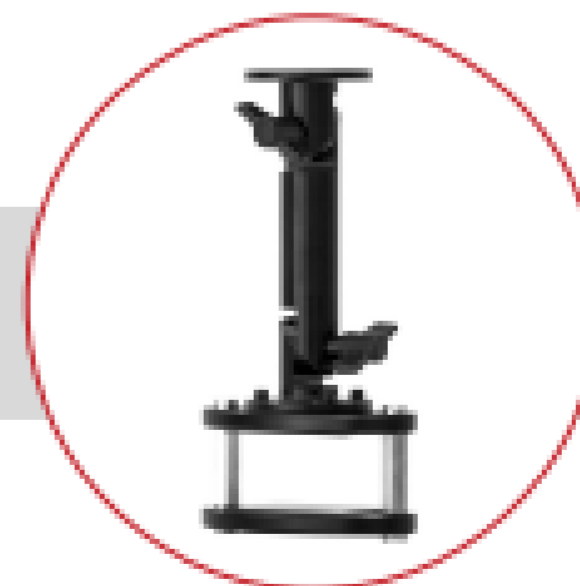


PART #	DESCRIPTION
3PTY-PCLIP-241872	Charging Cradle with Tilt-Swivel and 4 ft USB Cable for Zebra TC53 / TC58 with Rugged Boot



PART #	DESCRIPTION
3PTY-PCLIP-216475	USB-C Charging Cradle with Tilt Swivel and 4' (120mm) USB-C Cable for Zebra TC53 / TC58 with Rugged Boot (Does Not Include Power Supply)

ADDITIONAL MOUNTING OPTIONS





SCAN OR CLICK TO LEARN MORE >

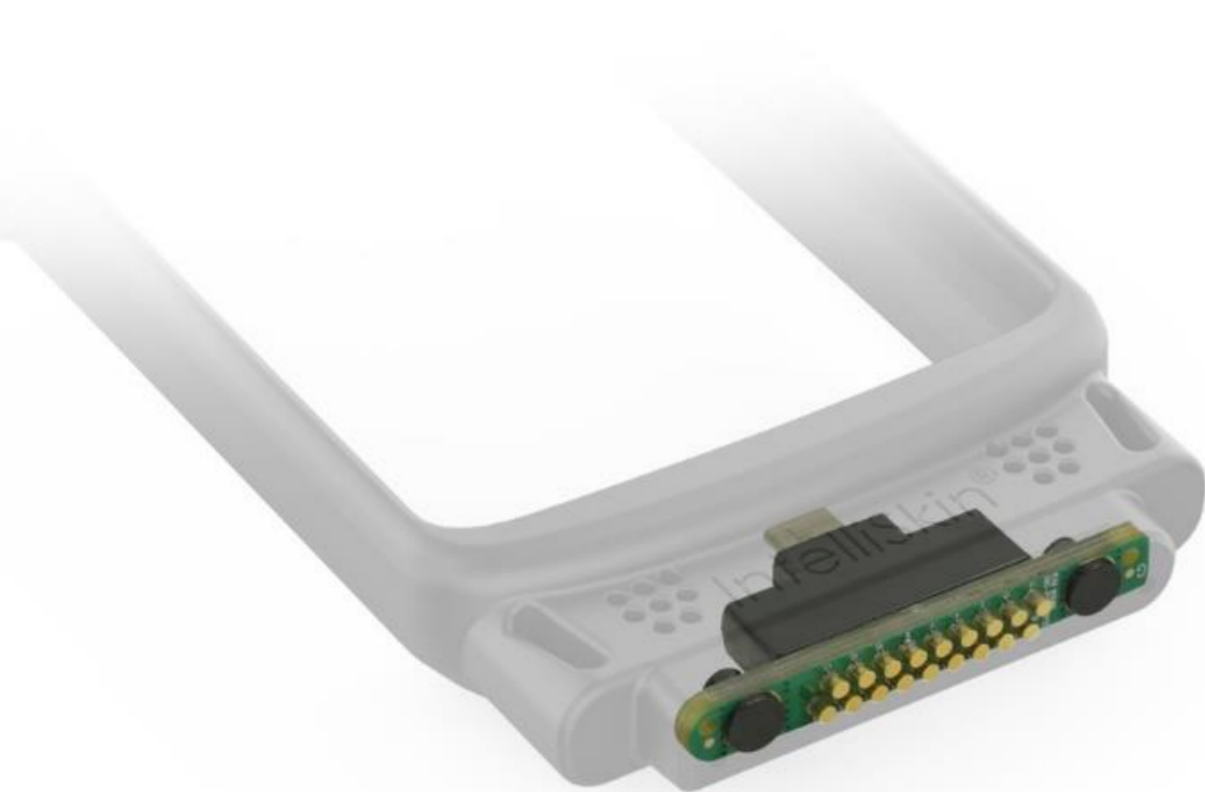


IntelliSkin® with GDS® Tech™ for Zebra TC53 / TC58 Handheld Computers

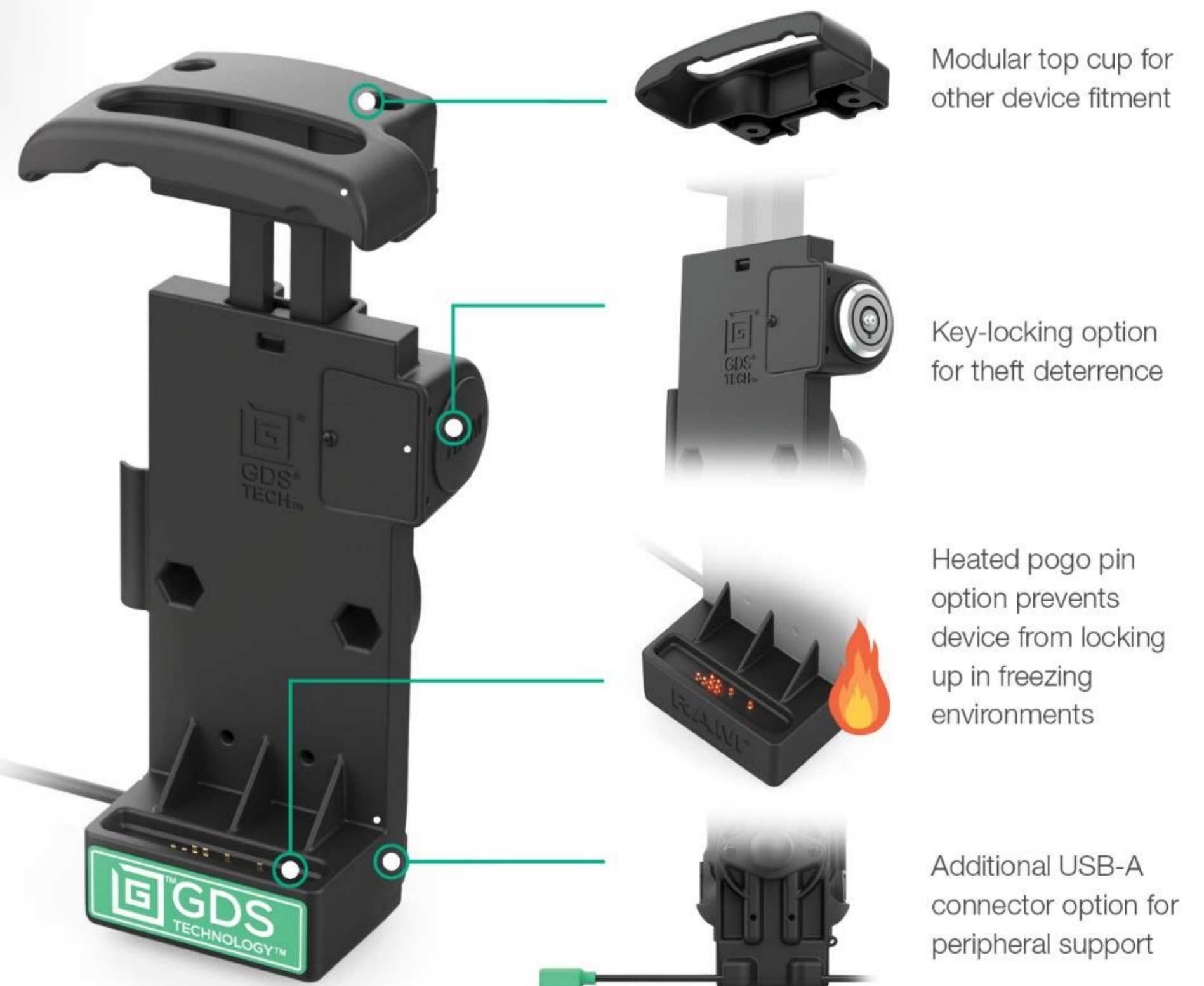
Upgrade your device protection with new GDS® Tech™ and IntelliSkin® for Zebra's rugged line of Handheld Computers. These connective Zebra mounting solutions deliver faster charging, increased reliability, and ease of use providing remarkable boost in efficiency your workforce needs.

3PTY-RAM-GDS-SKIN-ZE34

IntelliSkin® for TC53/TC58



Internal USB-C connector that protects the device ports and converts the connection point into flat, easy-to-clean pogo pad docking contacts.



Modular top cup for other device fitment

Key-locking option for theft deterrence

Heated pogo pin option prevents device from locking up in freezing environments

Additional USB-A connector option for peripheral support





GDS® Vehicle Docks for Zebra TC53 / TC58 Handheld Computers



PART NUMBER	DEVICE(S) SUPPORTED	DESCRIPTION
3PTY-RAM-GDSDOCKCPU	TC53/TC58 & TC22/TC27 (with IntelliSkin®)	Charging vehicle dock with USB-C female connector for power
3PTY-RAM-GDSDOCKCPDU	TC53/TC58 & TC22/TC27 (with IntelliSkin®)	Charging + single peripheral vehicle dock with USB-C female connector for power
3PTY-RAM-GDSDOCKLCPDU	TC53/TC58 & TC22/TC27 (with IntelliSkin®)	Locking and charging vehicle dock with USB-C female connector for power
3PTY-RAM-GDSDOCKLCPDU	TC53/TC58 & TC22/TC27 (with IntelliSkin®)	Locking and charging + single peripheral vehicle dock with USB-C female connector for power
3PTY-RAM-GDSDOCKLCPDHU	TC53/TC58 & TC22/TC27 (with IntelliSkin®)	Locking and charging + single peripheral vehicle dock with USB-C female connector for power and heated pogo pins

Compatible Hardwire Chargers

3PTY-RAM-GDS-CHARGE-V3C2U

GDS® 10-30V Power Delivery Hardwire Charger

3PTY-RAM-GDS-CHARGEV3CH2U

GDS® 30-64V Power Delivery Hardwire Charger

GDS® Desktop Charging Docks



3PTY-RAM-GDS-DOCK-6G15P
GDS® 6-Port Charging Dock
for Zebra Handheld PCs with IntelliSkin®



3PTY-RAMGDSDOCK6G15PRJ45
GDS® 6-Port Charging Dock with RJ45 Ports
for Zebra Handheld PCs with IntelliSkin®



RAM® Form-Fit Docks

for Zebra TC53 / TC58 Handheld Computers

Rugged accessories meet rugged devices with these RAM® Handheld PC docks for the Zebra TC53 & TC58. These form-fitting docks are available with and without power, as well as non-locking and key-locking functions. Powered dock options offer a seamless experience by utilizing the device's pogo pad docking contacts and 5.5mm DC barrel connector — simply dock the device to keep it charging. Pair with any modular RAM® Mounts components to create a custom mounting solution for your forklift, truck, pick cart and more!



PART NUMBER	DEVICE(S) SUPPORTED	DESCRIPTION
3PTY-RAM-HOL-ZE17-2U	TC53/TC58 (with or without Boot)	Charging vehicle dock with 5.5mm barrel connector for power
3PTY-RAM-HOL-ZE17L-2U	TC53/TC58 (with or without Boot)	Locking and charging vehicle dock with 5.5mm barrel connector for power
CRD-TC5NG-NCCD-01	TC53/TC58 (with or without Boot)	Non-powered cradle

Compatible Hardwire Chargers

3PTY-RAMGDSCHARGEM55V7B1U
GDS® 10-30V Hardwire Charger

3PTY-RAM-GDSCHARGEM55V8BU
GDS® 30-64V Hardwire Charger

Product Highlights



Pogo Pin Charging

Protect the charge port by utilizing the device's pogo pad docking contacts — simply dock the TC53/TC58 to keep the device charged.



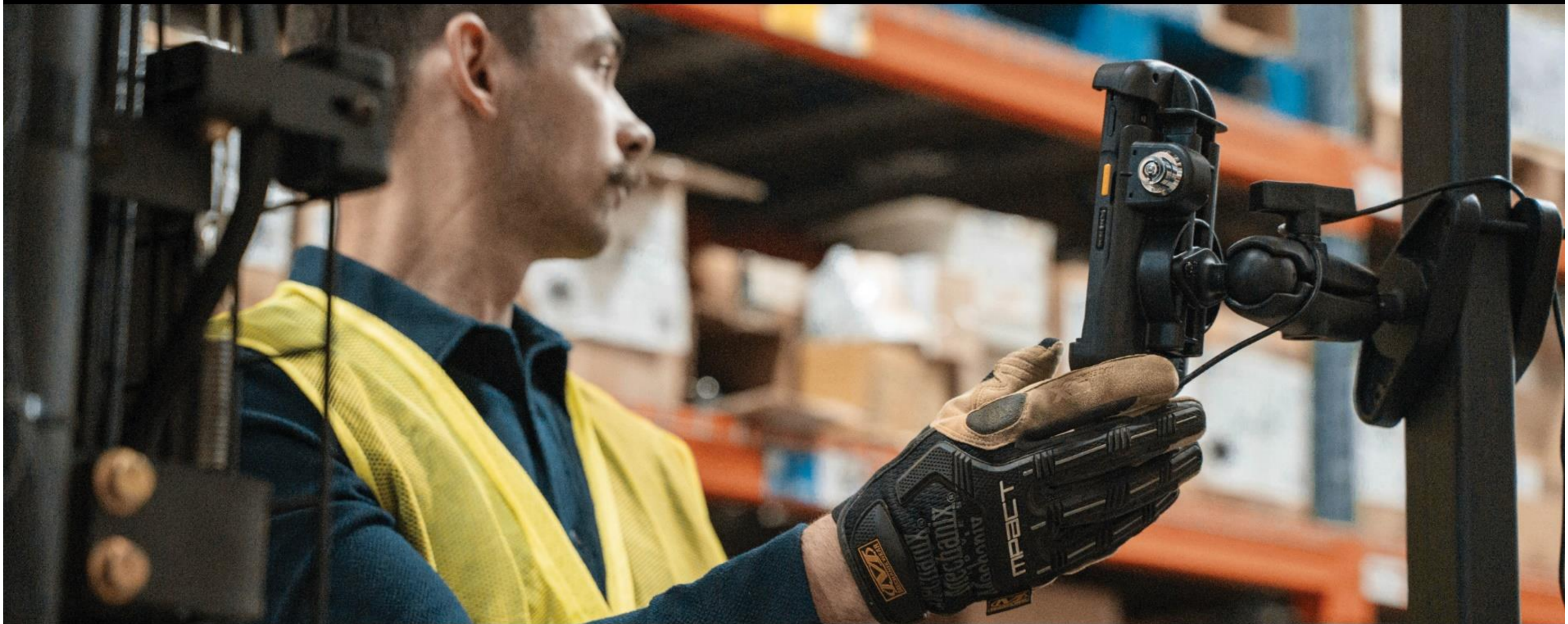
Stylus Holder

Integrated snap-in stylus holder on all docks prevent lost or dangling styluses when on-the-go.



Mount It

With RAM® Compatibility™ customize your mount to your environment, or pair with these ready-made forklift kits.



RAM® Accessories & Mounts

for Zebra TC53 / TC58 Handheld Computers



3PTY-RAM-101U-B-247

RAM® Forklift Mount C-Size
with Short Arm



3PTY-RAM-101U-247

RAM® Forklift Mount C-Size
with Medium Arm



AT17147-1

RAM® Double Ball Mount C-Size
with Medium Arm



3PTY-RAM-GDS-SS1U

GDS® Shoulder Strap Accessory



3PTY-RAM-GDS-DOCK-D7U

GDS® Desktop Dock with Power
Delivery - Small Tablets & Phones



rammount.com | 1-800-497-7479 | sales@rammount.com

Patented and Pats. Pend.